



Company name:

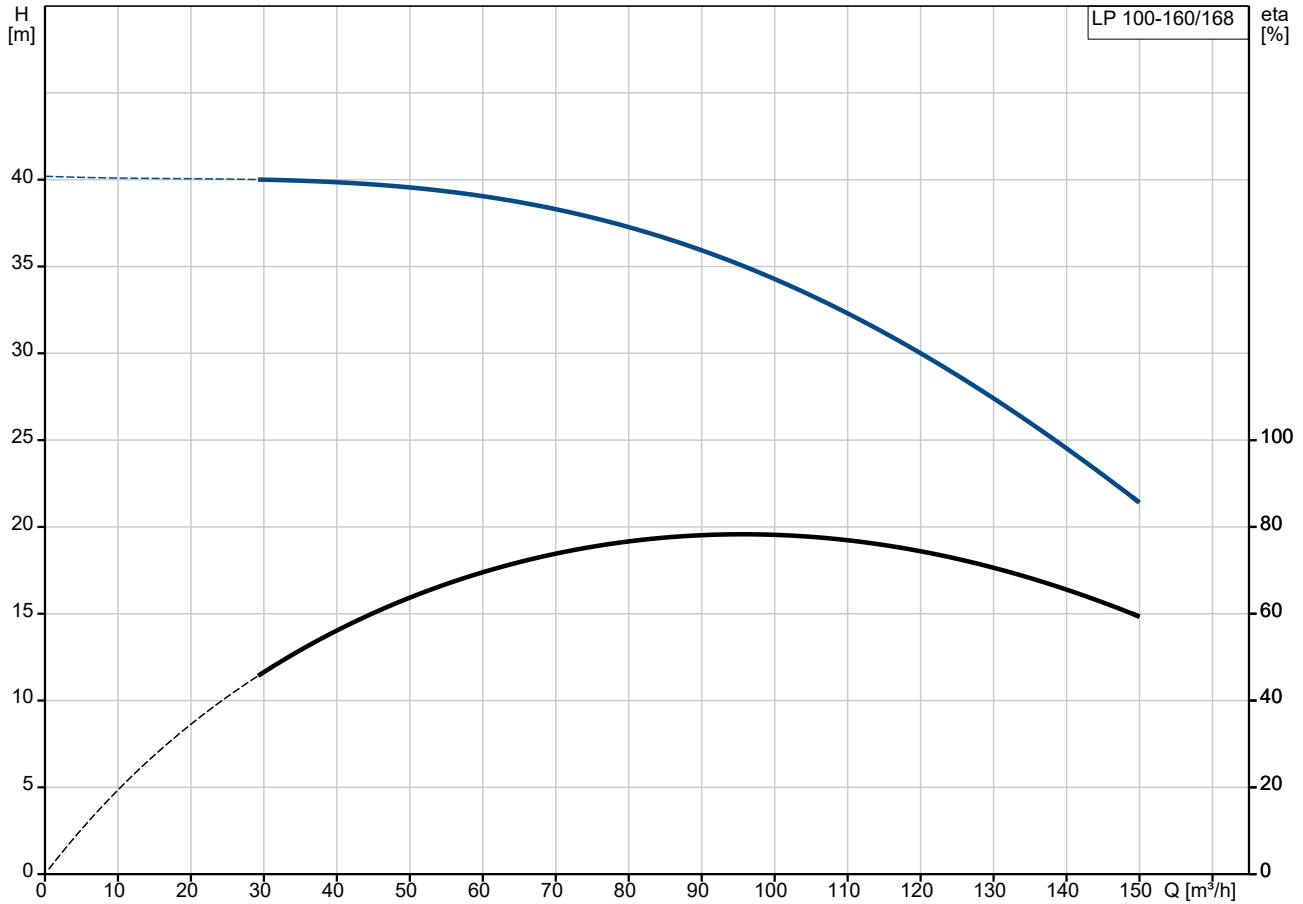
Created by:

Phone:

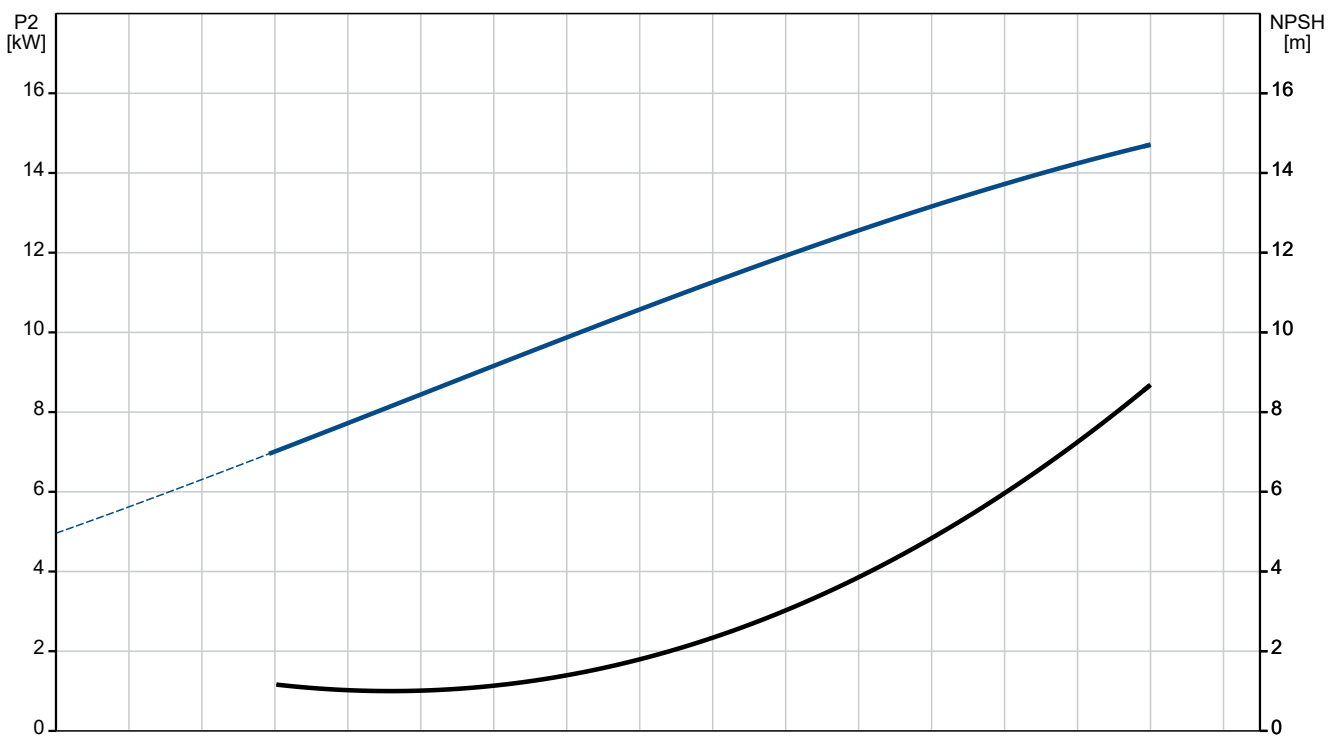
Date:

20/08/2024

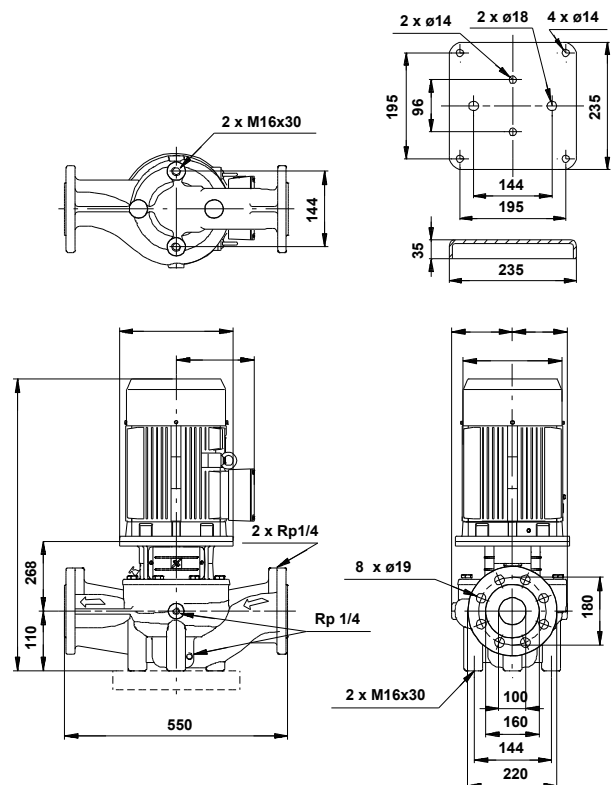
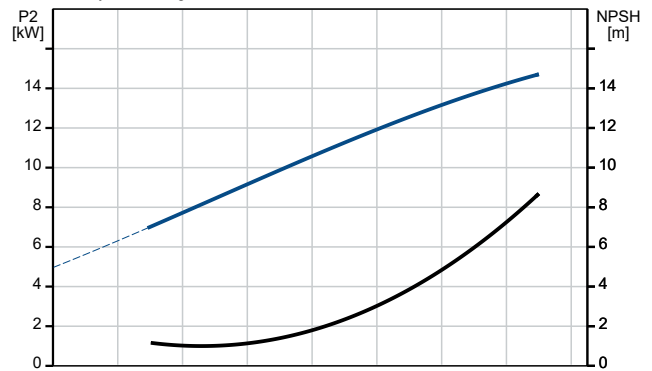
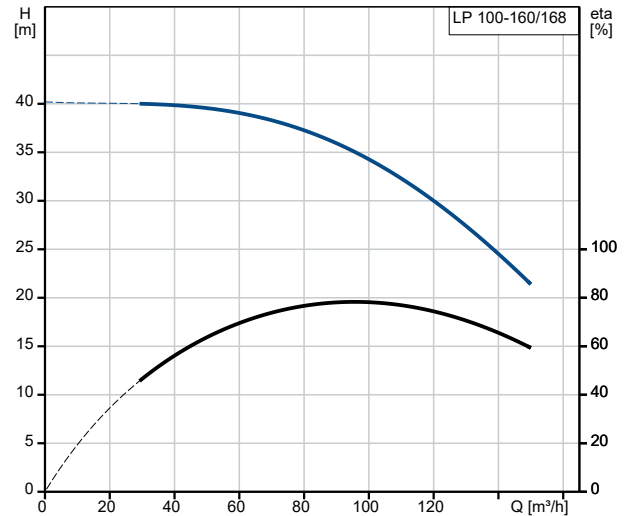
48060055 LP 100-160/168 A-F-A 50 Hz



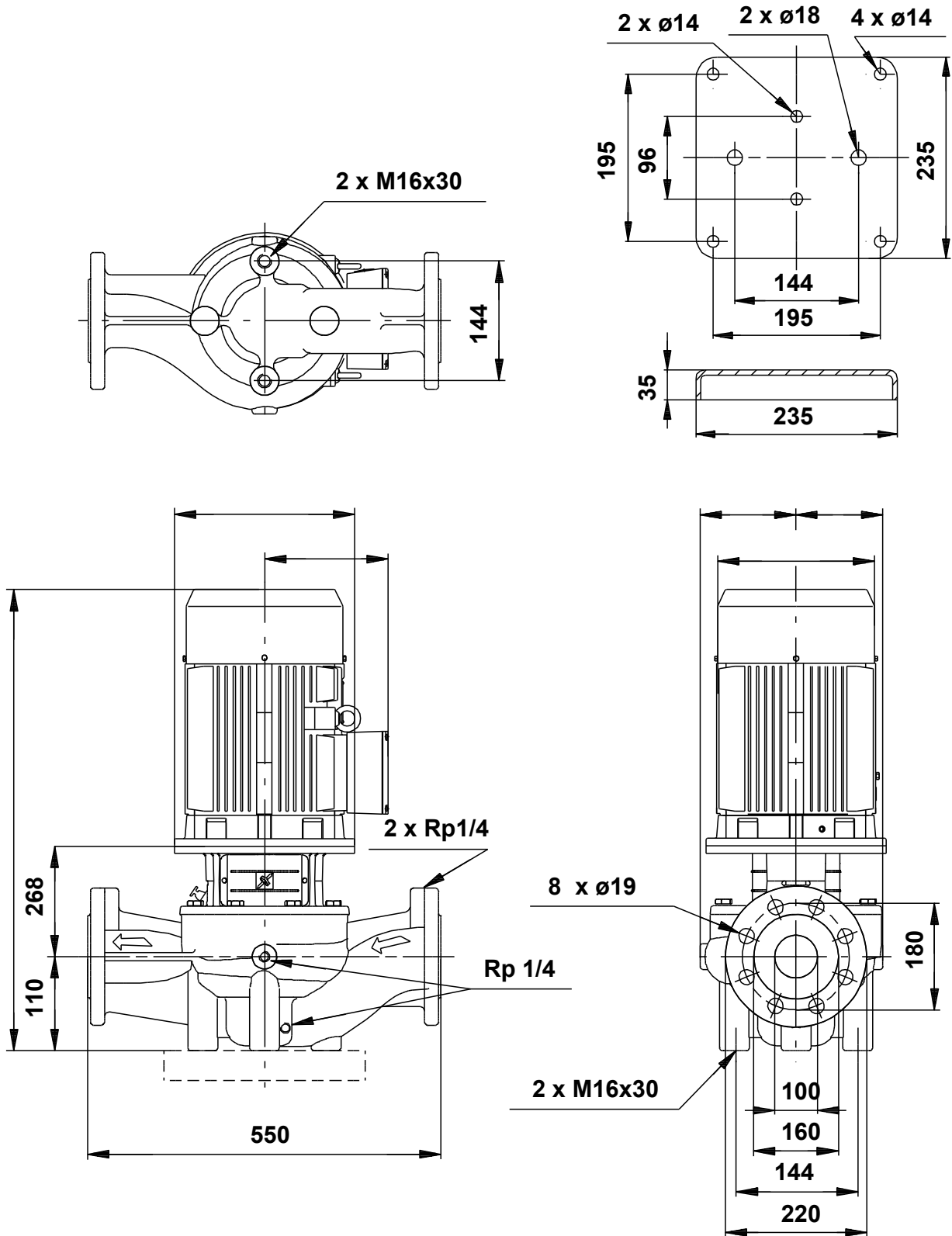
Pumped liquid = Water
Liquid temperature during operation = 20 °C
Density = 998.2 kg/m³



Description	Value
General information:	
Product name:	LP 100-160/168 A-F-A
Product No:	48060055
EAN number:	5700390803872
Technical:	
Pump version:	A
Materials:	
Pump housing:	Cast iron
Pump housing:	EN-JL1040
Pump housing:	ASTM Class 35-40
Impeller:	Stainless steel
Impeller:	DIN W.-Nr. 1.4301
Impeller:	AISI 304
Material code:	A
Installation:	
Flange standard:	DIN
Pipe connection:	DN 100
Pressure rating:	PN 16
Port-to-port length:	550 mm
Connect code:	F
Liquid:	
Pumped liquid:	Water
Selected liquid temperature:	20 °C
Density:	998.2 kg/m ³
Others:	
Net weight:	76 kg



48060055 LP 100-160/168 A-F-A 50 Hz



Note! All units are in [mm] unless others are stated.
Disclaimer: This simplified dimensional drawing does not show all details.